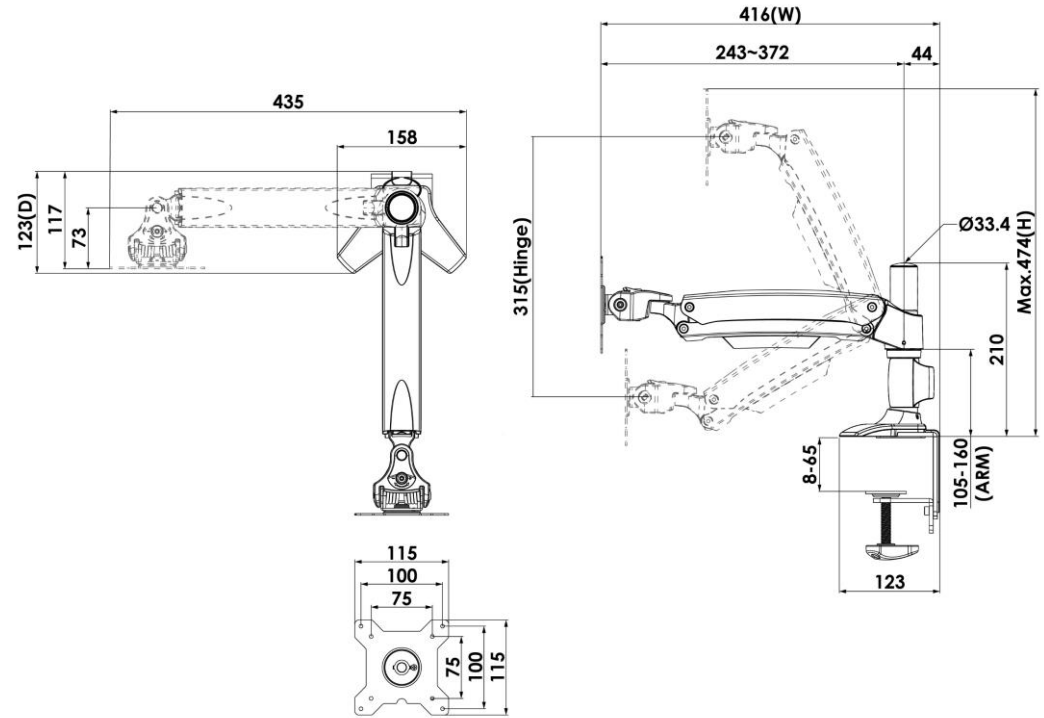




Highgrade
<http://www.highgrade.com.tw>

Model Name:AUC10
Issus Date:2022/06/22(A)

Complete System		
Net Weight	2.6 kg (5.73 lbs)	
Dimension(W*H*D)	416 x 474 x 123 mm (16.37" x 18.66" x 4.84")	
Screw Type	M4	
Material	Steel/Aluminum Alloy/Plastic	
Display System		
Hinge Module	Swivel(Hinge)	+/-90°
	Tilt(Hinge)	+/-20°
	Pivot	360°
	User Torque Adjust	Available
Display Support	Mounting Pattern	100X100 / 75x75 mm
	Flat Panel size support	≤34"
	Flat panel support weight (range)	4-12 kg (8.82-26.46 lbs)
	Curved Panel size support	≤34"
	Curvature	≥1000R
Height Adjust	Height Adjustment Range (Arm)	315 mm (12.4")
	Tension Torque Adjust	Yes
	Tilt(Arm)	-30°(down) ~ +65°(up)
Height Adjustment Range (POLE)	105~160mm(4.13"~6.30")	
Extended Arm Provided	1	
Cable Management	Yes	



VESA	Tilt	Rotate	Swivel	Cable Management	Height Adjust	Torque Adjust
100x100 75x75(mm)	+20° -20°	360°	±90°		+65° -30°	