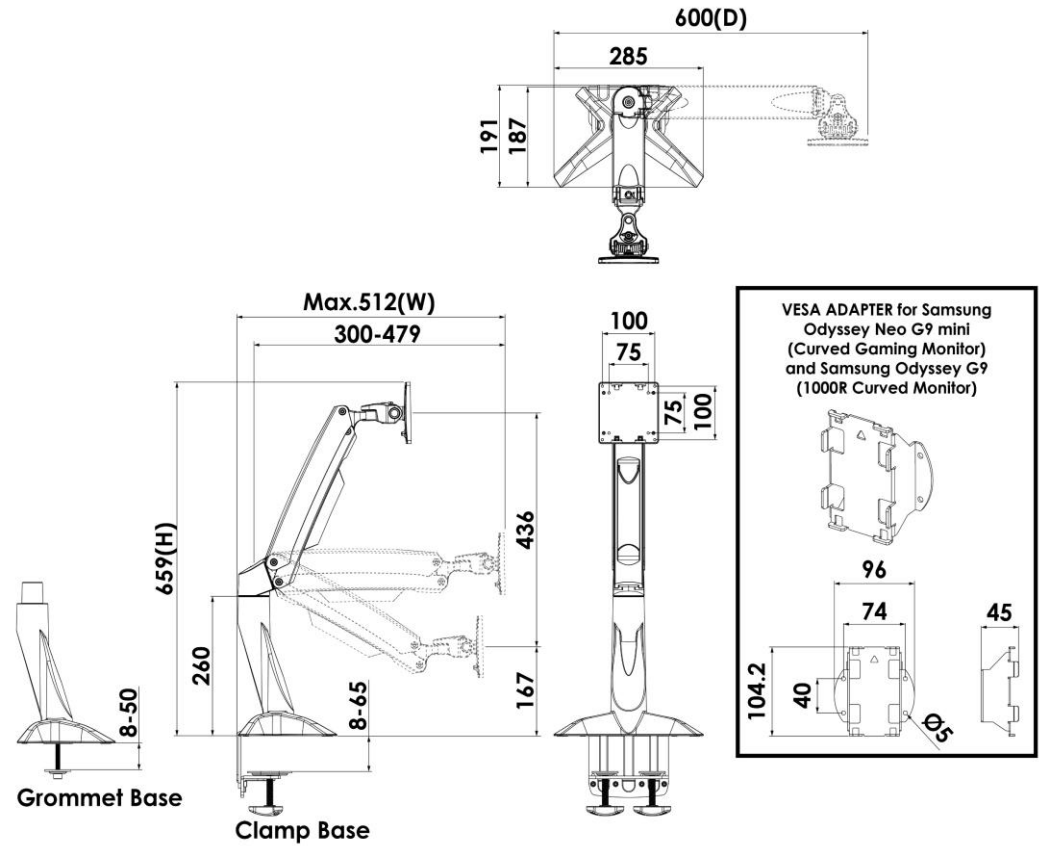




**H. grade**  
<http://www.highgrade.com.tw>

**Model Name:WUC10Q**  
**Issus Date:2023/08/11**

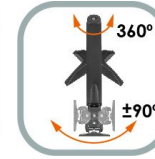
Complete System		
Net Weight	6.7kg (14.77 lbs)	
Dimension(W*H*D)	512 x 659 x 600 mm(20.16" x 25.95" x 23.62")	
Screw Type	M4	
Material	Steel/Aluminum Alloy/Plastic	
Display System		
Hinge Module	Swivel(Hinge)	+/-90°
	Tilt(Hinge)	+/-20°
	Pivot	360°
	User Torque Adjust	Available
Display Support	Mounting Pattern	100x100 / 75x75 mm
	Flat Panel size support	≤49"
	Flat panel support weight (range)	12~19kg (26.46~41.89 lbs)
	Curved Panel size support	≤49"
	Curvature	≥1000R
Height Adjust	Height Adjustment Range (Arm )	436mm (17.17")
	Tension Torque Adjust	Yes
	Tilt(Arm)	-30°(down) ~ +65°(up)
Height Adjustment Range (POLE)	N/A	
Extended Arm Provided	1	
Cable Management	Yes	



≤ 49"  
 12-19 kg  
 26.46-41.89 lbs  
**MONITOR**

≤ 49"  
 7.5-14.5 kg  
 16.53-31.97 lbs  
**CURVED**

≥1000R



VESA	Tilt	Rotate	Swivel	Cable Management	Height Adjust	Torque Adjust
100x100 75x75(mm)	±20°	±360°	±90°		436mm +65° -30°	